

# belt conveyors

ECA



## ECA80-D1

### Direct Drive

Belt conveyors are ideal for linear, horizontal or even as incline transport of goods. Easy conveyors has developed a wide range of modular conveyor systems with synthetic belts. Key concept of the system is quick and easy to assemble thanks to modular design, high performance, safe and low noise level are the characters of the systems.

The ECA 80-D1 serie is the conveyor for the heavier load and a maximum length of 12 meters with a maximum wide of 1200 mm. The rollers have a diameter of 85 mm. The frame is build up out of aluminum anodized profiles with a slide at the side where you can mount the side guiding and the supports

## ECA 80 FRAME

### ECA 80 SIDE PROFILE

Material: Aluminum, 12 micron anodized  
 Fabrication size = center to center minus 70 mm (A)  
 Package: 1 piece  
 Profile ECA 80 L=5600 mm; VE=3      **ECA08090000**

### ECA 80 COUPLE SET

Material: Aluminium, 12 micron anodized  
 Package: 1 connector, 2 brackets with fasteners

Connector B = 600 mm	<b>ECA080900060</b>
Connector B = 800 mm	<b>ECA080900080</b>
Connector B = 1000 mm	<b>ECA080900100</b>
Connector B = 1200 mm	<b>ECA080900120</b>

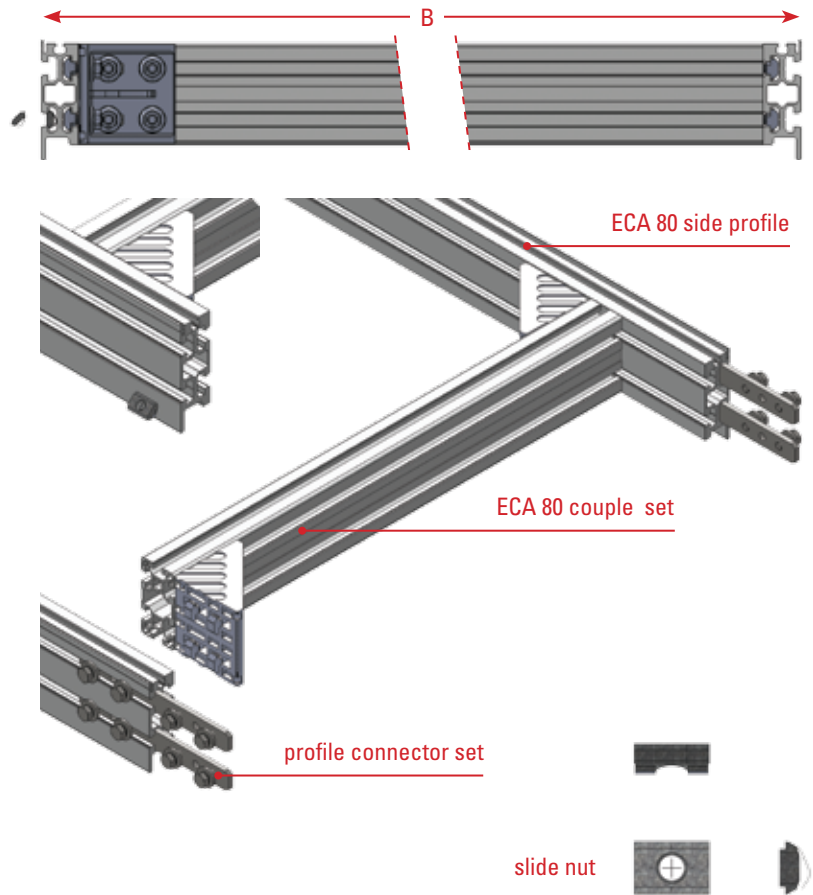
### PROFILE CONNECTOR SET

Material: Steel, galvanized  
 Package: 2 pieces with fastener  
 Profile connector set      **EMPT04070500006**

### SLIDENUT

Material: Steel, galvanized  
 Package: 25 pieces

Slide nut M6	<b>04011500001</b>
Slide nut M8	<b>04011500002</b>



## ECA 80 DRIVE

### IDLER UNIT 80

Material: Aluminum die cast  
 Package: Left and right support plate with fasteners  
**ROLLER NOT INCLUDED**      **ECA08086000S**

### IDLER ROLLER 80

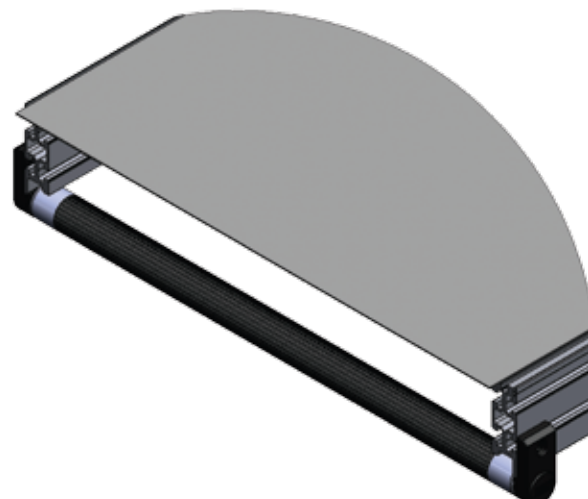
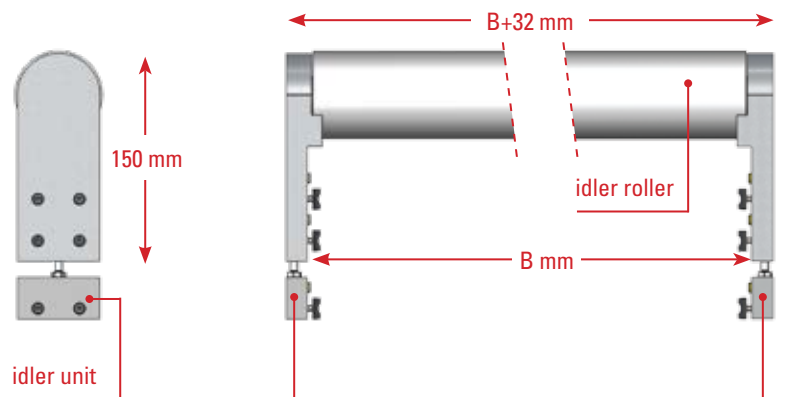
Material: Stainless steel shaft with aluminum cover tube  
 Package: 1 piece, diameter 85 mm

Length: Idler roller set B-600 mm	<b>ECP08086060</b>
Length: Idler roller set B-800 mm	<b>ECP08086080</b>
Length: Idler roller set B-1000 mm	<b>ECP08086100</b>
Length: Idler roller set B-1200 mm	<b>ECP08086120</b>

### SUPPORT ROL

Material: Stainless steel shaft with aluminum cover tube  
 Package: per piece

Length: Support axe B-600 mm	<b>ECA00093060</b>
Length: Support axe B-800 mm	<b>ECA00093080</b>
Length: Support axe B-1000 mm	<b>ECA00093100</b>
Length: Support axe B-1200 mm	<b>ECA00093120</b>



## ECA 80 DRIVE UNIT

### DIRECT DRIVE UNIT 80

Material: Aluminum die cast  
 Package: Left and right support plate with fasteners, tork-plate, **ECA08080000S**  
**ROLLER AND GEARMOTOR NOT INCLUDED**  
**FOR GEARMOTORS SEE SHEET "GEARMOTORS"**

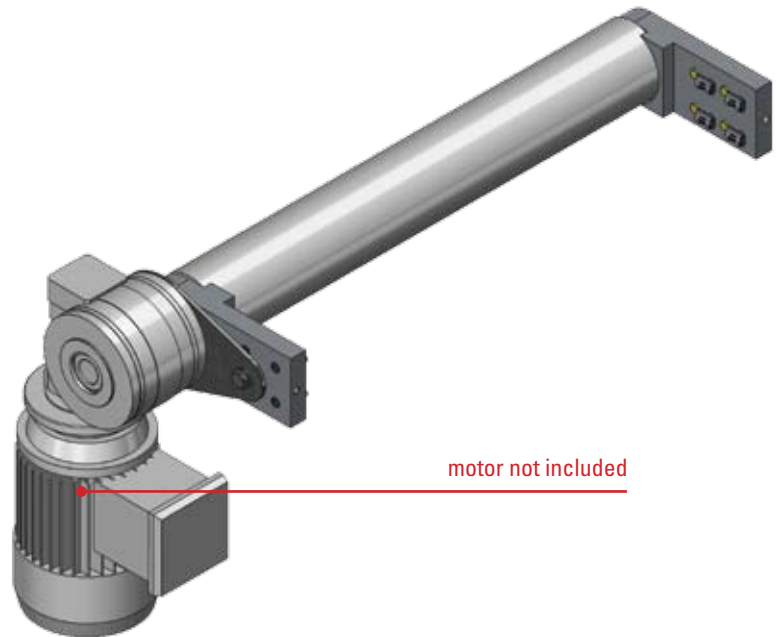
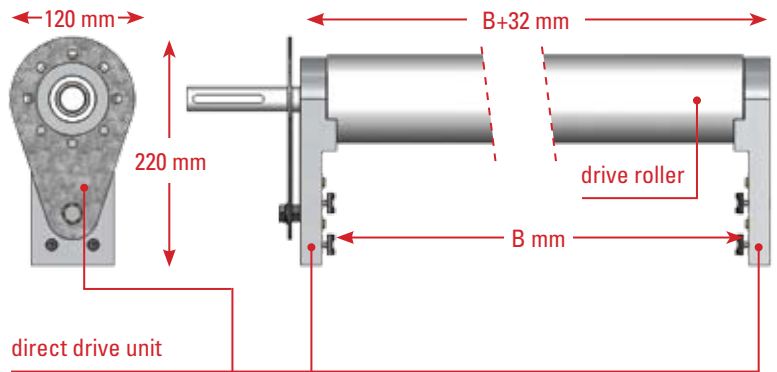
### DIRECT DRIVE ROLLER

Material: Stainless steel shaft with aluminum cover tube  
 Package: 1 piece, diameter 85 mm

### DIRECT DRIVE ROLLER

Material: Stainless steel shaft with aluminum cover tube  
 Package: 1 piece, diameter 85 mm

Length: Drive roller set 600 mm	<b>ECP08080060S</b>
Length: Drive roller set 800 mm	<b>ECP08080080S</b>
Length: Drive roller set 1000 mm	<b>ECP08080100S</b>
Length: Drive roller set 1200 mm	<b>ECP08080120S</b>



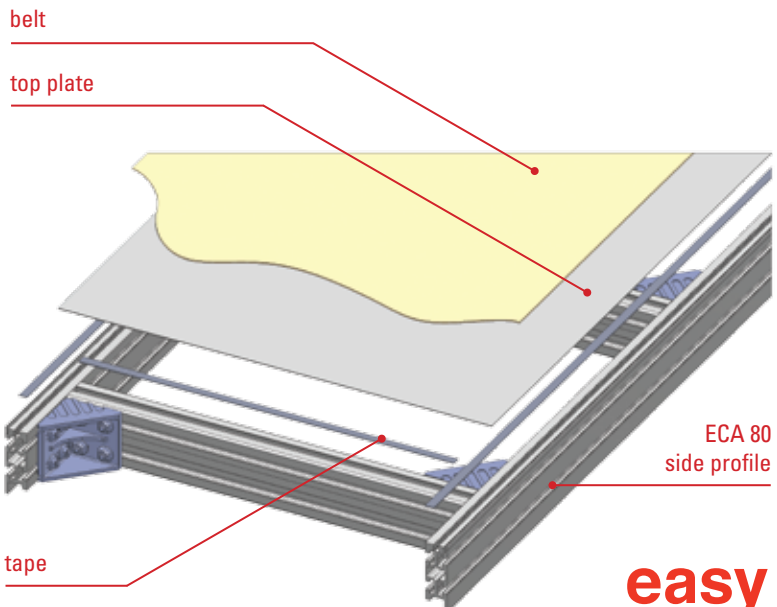
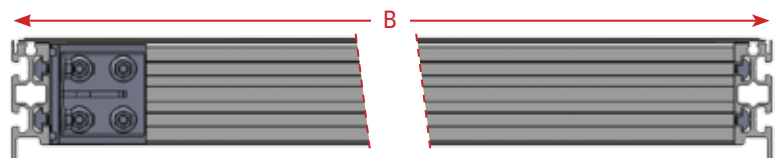
## ECA TOP PLATE + BELT

### ECA TOP PLATE TAPE

Material: 2 sided tape  
 Package: 1 roll of 33 meters **ECA00092100**

### ECA TOP PLATE 80

Material: Steel galvanized 2 mm  
 Package: on request **ECA00092000**

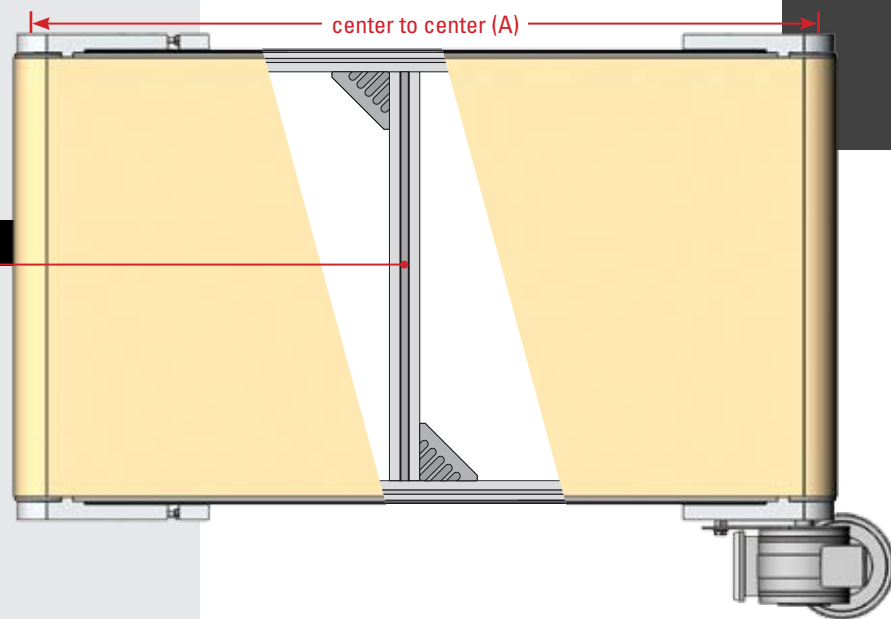


FOR BELT MATERIAL SEE PRODUCTSHEET  
 "BELT MATERIAL"

FOR GEARMOTORS SEE PRODUCTSHEET  
 "GEARMOTORS"

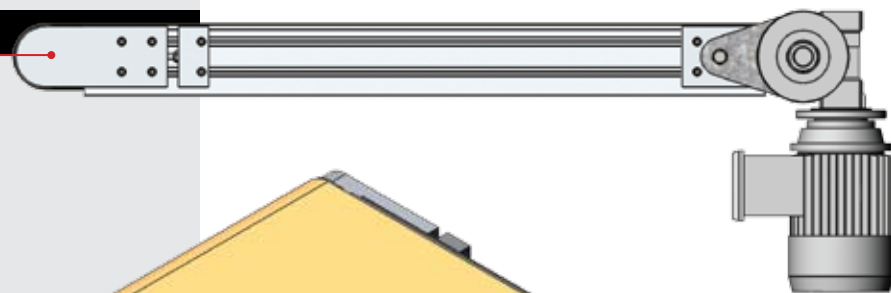
FOR SIDE GUIDING SEE PRODUCTSHEET  
 "SIDE GUIDING"

# ECA80-D1



ECA COUPLE SET

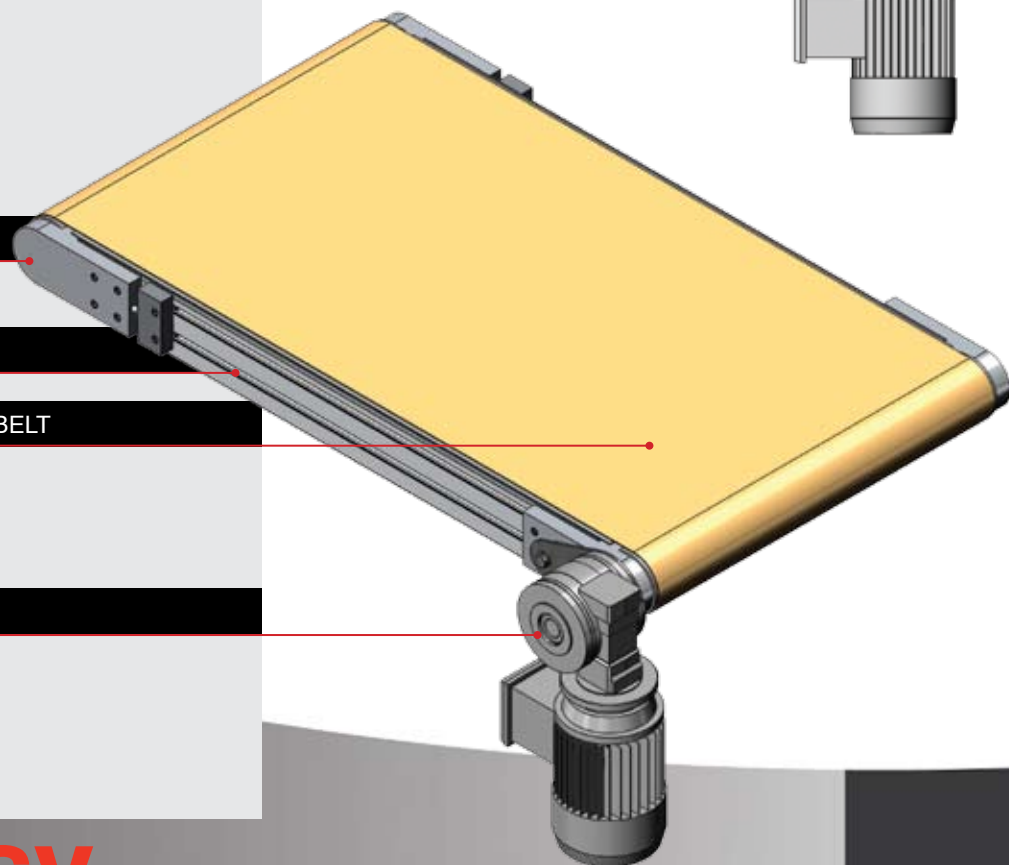
ECA IDLER UNIT



ECA IDLER UNIT

ECA PROFILE

ECA TOP PLATE & BELT



ECA DRIVE UNIT