

belt conveyors

ECA



ECA40-D1

Direct Drive

Belt conveyors are ideal for linear, horizontal or even as incline transport of goods. Easy conveyors has developed a wide range of modular conveyor systems with synthetic belts. Key concept of the system is quick and easy to assemble thanks to modular design, high performance, safe and low noise level are the characters of the systems.

The ECA 40-D1 serie is the conveyor for the medium load and a maximum length of 6 meters with a maximum wide of 600 mm. The rollers have a diameter of 45 mm. The frame is build up out of aluminum anodized profiles with a slide at the side where you can mount the side guiding and the supports

ECA40-D1

ECA 40 FRAME

ECA 40 SIDE PROFILE

Material: Aluminum, 12 micron anodized
 Fabrication size = center to center minus 70 mm (A)
 Package: 1 piece
 Profile ECA 40 L=5600 mm; VE=5 **ECA04090000**

ECA 40 COUPLE SET

Material: Aluminium, 12 micron anodized
 Package: 1 connector, 2 brackets with fasteners

Connector B = 200 mm	ECA04090020
Connector B = 300 mm	ECA04090030
Connector B = 400 mm	ECA04090040
Connector B = 500 mm	ECA04090050
Connector B = 600 mm	ECA04090060

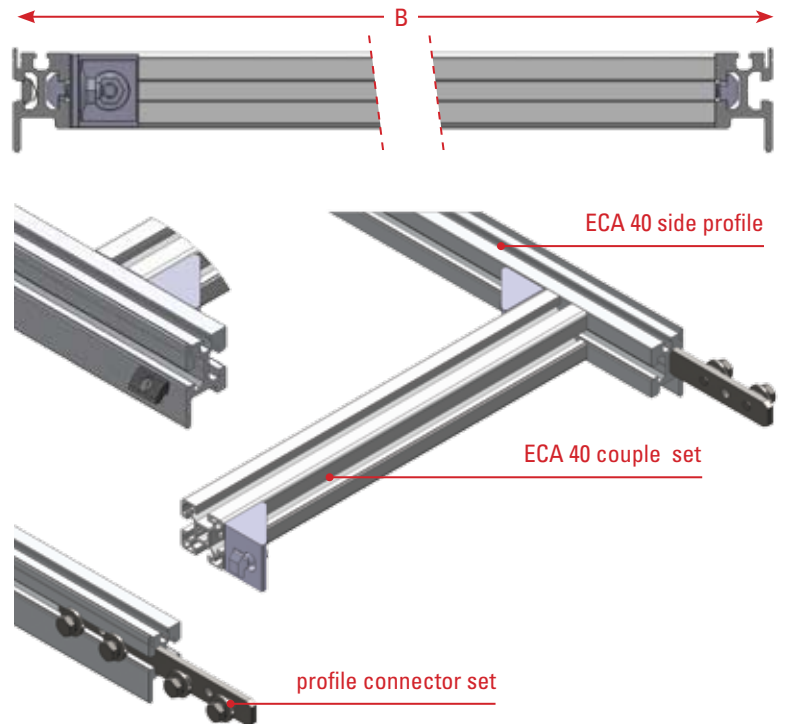
PROFILE CONNECTOR SET

Material: Steel, galvanized
 Package: 2 pieces with fastener
 Profile connector set **EMPT040705000006**

SLIDENUT

Material: Steel, galvanized
 Package: 25 pieces

Slide nut M6	040115000001
Slide nut M8	040115000002



ECA 40 DRIVE

IDLER UNIT 40

Material: Aluminum die cast
 Package: Left and right support plate with fasteners
ROLLER NOT INCLUDED **ECA04090000S**

IDLER ROLLER 40

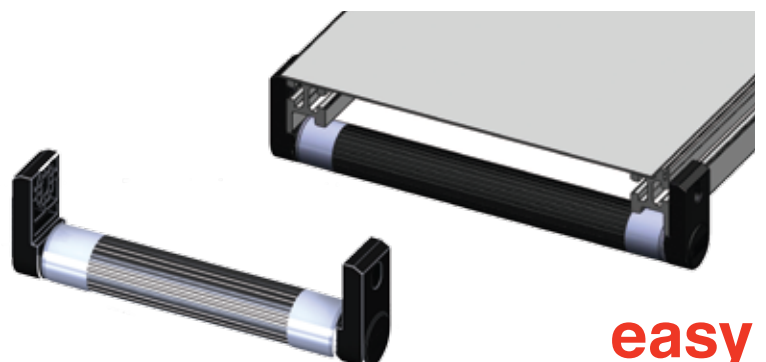
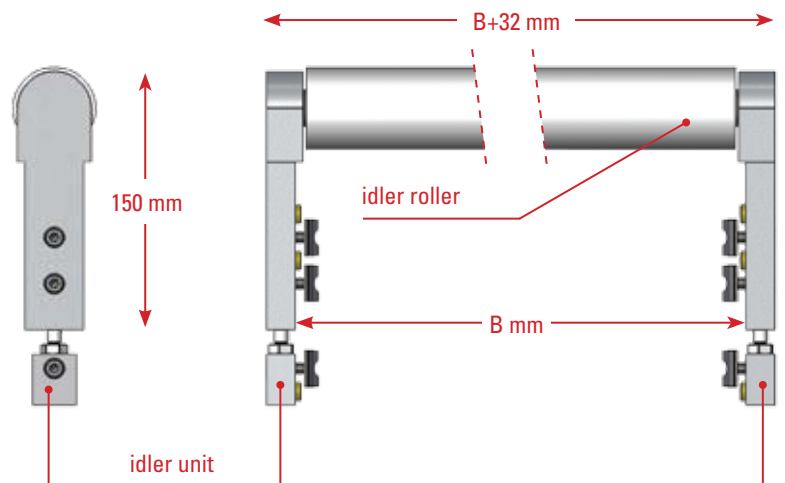
Material: Stainless steel shaft with aluminum cover tube
 Package: 1 piece, diameter 45 mm

Length: Idler roller set B-200 mm	ECP04090020S
Length: Idler roller set B-300 mm	ECP04090030S
Length: Idler roller set B-400 mm	ECP04090040S
Length: Idler roller set B-500 mm	ECP04090050S
Length: Idler roller set B-600 mm	ECP04090060S

SUPPORT ROL

Material: Stainless steel shaft with aluminum cover tube
 Package: per piece

Length: Support axe B-200 mm	ECA00093020
Length: Support axe B-300 mm	ECA00093030
Length: Support axe B-400 mm	ECA00093040
Length: Support axe B-500 mm	ECA00093050
Length: Support axe B-600 mm	ECA00093060



ECA 40 DRIVE UNIT

DIRECT DRIVE UNIT 40

Material: Aluminum die cast

Package: Left and right support plate with fasteners,
ECA04080000S

ROLLER AND GEARMOTOR NOT INCLUDED
FOR GEARMOTORS SEE SHEET "GEARMOTORS"

DIRECT DRIVE ROLLER

Material: Stainless steel shaft with aluminum cover tube

Package: 1 piece, diameter 45 mm

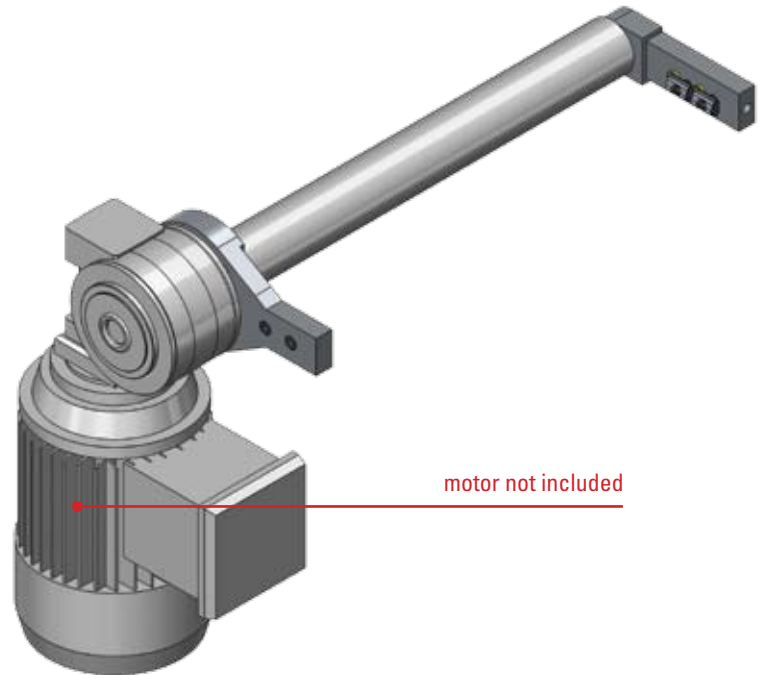
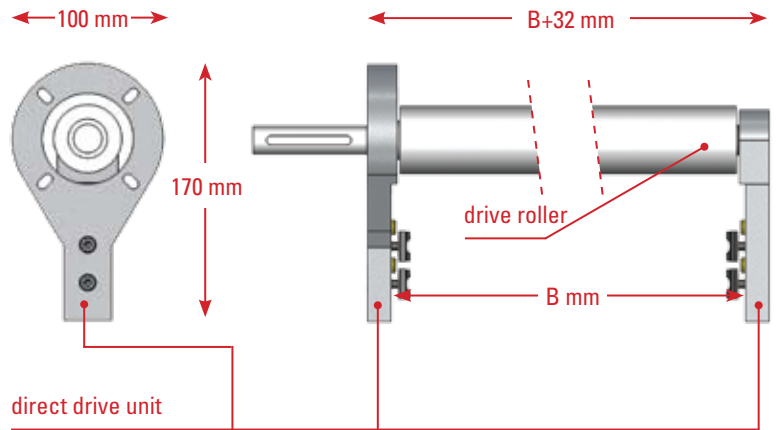
Length: Direct drive roller 200 mm **ECP04080020S**

Length: Direct drive roller 300 mm **ECP04080030S**

Length: Direct drive roller 400 mm **ECP04080040S**

Length: Direct drive roller 500 mm **ECP04080050S**

Length: Direct drive roller 600 mm **ECP04080060S**



ECA TOP PLATE + BELT

ECA TOP PLATE TAPE

Material: 2 sided tape

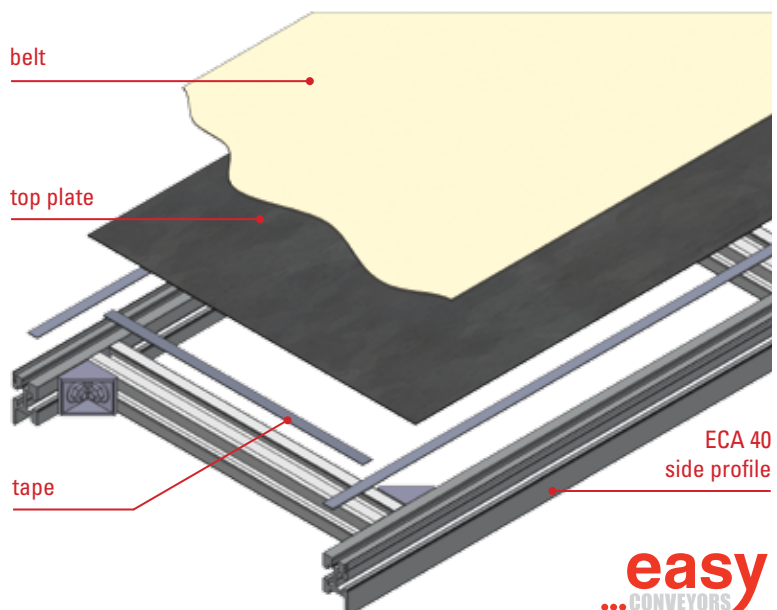
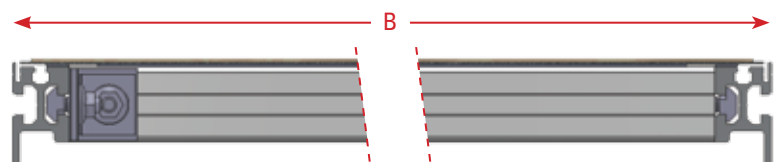
Package: 1 roll of 33 meters **ECA00092100**

ECA TOP PLATE 40

Material: Steel galvanized 2 mm

Package: on request

Fabrication size A-45 mm, B-5 mm **ECA00092000**



FOR BELT MATERIAL SEE PRODUCTSHEET
"BELT MATERIAL"

FOR GEARMOTORS SEE PRODUCTSHEET
"GEARMOTORS"

FOR SIDE GUIDING SEE PRODUCTSHEET
"SIDE GUIDING"

ECA40-D1

